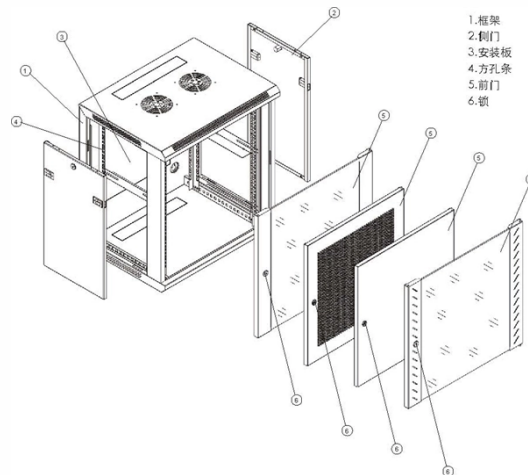


# Pronunciation of optical fiber grating



## Overview

The phonetic pronunciation of "Fiber Bragg Grating" is: Fahy-ber Brag Gray-ting Fiber Bragg Grating (FBG) is a highly effective optical filter and sensor framework that relies on the periodic variation of refractive index within an optical fiber core. Have a better pronunciation ?

Upload it here to share it with the entire community. Having trouble pronouncing 'fiber grating' ?

Learn how to pronounce one of the nearby words below: When you begin to speak English, it's essential to get used to the common sounds of the language, and the best. How to properly pronounce fiber optic bragg grating?

Here are all the possible pronunciations of the word fiber optic bragg grating. Notify me of new comments via email. The hardware. (English pronunciations of optical fiber from the Cambridge Advanced Learner's Dictionary & Thesaurus and from the Cambridge Academic Content Dictionary, both sources © Cambridge University Press) What is the definition of optical fiber?

optical fiber pronunciation.

## Article Content

fiber Bragg grating

The optical measuring device has at least one optical waveguide (20a, 20i) which is provided with at least one fiber Bragg-grating sensor (21), wherein said sensor (21) can be interrogated by means of

Fiber Grating | Pronunciation of Fiber Grating in English

Here are a few tips that should help you perfect your pronunciation of "fiber grating": Sound it Out: Break down the word "fiber grating" into its individual sounds "grayt" + "ing".

How to pronounce optical fiber | HowToPronounce

How to Pronounce optical fiber Phonetically (With Audio)? Learn how to pronounce the word Optical fiber in english using phonetic spelling and the International Phonetic Alphabet (IPA)

fiber grating

Apparatus and method for monitoring mining fiber grating roof separation layer patents-wipo Method for manufacturing optical fiber grating, optical fiber grating, and fiber laser patents-wipo Bridge intelligent

Bragg Gratings in Optical Fibers: Fundamentals and Applications

The development of fiber optics has revolutionized the field of telecommunications making possible high-quality, high-capacity, long distance telephone links Over the past three decades, the advancements

How to pronounce optical fiber

optical fiber pronunciation - How to properly say optical fiber. Listen to the audio pronunciation in several English accents.

How To Pronounce Fiber grating: Fiber grating pronunciation

How do you say Fiber grating? Listen to the audio pronunciation of Fiber grating on pronouncekiwi

How to pronounce fiber optic bragg grating

fiber optic bragg grating pronunciation - How to properly say fiber optic bragg grating. Listen to the audio pronunciation in several English accents.

Long-period fiber grating

A long-period fiber grating couples light from a guided mode into forward propagating cladding modes where it is lost due to absorption and scattering. The coupling from the guided mode to cladding

## Fiber Bragg Gratings 2026-2034 Overview: Trends, Competitor

The global Fiber Bragg Gratings (FBGs) market is projected to reach \$2.66 billion by 2025, exhibiting a compound annual growth rate (CAGR) of 8.3% from 2025 to 2033. FBGs, essential

fiber grating

Learn the definition of "fiber grating". Check out the pronunciation, synonyms and grammar. Browse the use examples "fiber grating" in the great English corpus.

Fiber Optic | 691 pronunciations of Fiber Optic in English

Self-Record & Review: Record yourself saying "fiber optic" in sentences. Listen back to identify areas for improvement. Pronunciation Guides: Search for how to pronounce "fiber optic" in

Optical Fiber | 154 pronunciations of Optical Fiber in English

Tips to improve your English pronunciation: Here are 4 tips that should help you perfect your pronunciation of "optical fiber": Break "optical fiber" down into sounds: say it out loud and exaggerate

Fiber Bragg grating

A fiber Bragg grating (FBG) is a type of distributed Bragg reflector constructed in a short segment of optical fiber that reflects particular wavelengths of light and

Optical Fiber | 160 pronunciations of Optical Fiber in English

Self-Record & Review: Record yourself saying "optical fiber" in sentences. Listen back to identify areas for improvement. Pronunciation Guides: Search for how to pronounce "optical

Fiber Grating | Pronunciation of Fiber Grating in American English

Self-Record & Review: Record yourself saying "fiber grating" in sentences. Listen back to identify areas for improvement. Pronunciation Guides: Search for how to pronounce "fiber

Fiber Grating | Pronunciation of Fiber Grating in English

Here are 4 tips that should help you perfect your pronunciation of "fiber grating": Break "fiber grating" down into sounds: say it out loud and exaggerate the sounds until you can consistently produce

All About Diffraction Gratings

All About Diffraction Gratings Diffraction gratings are optical components critical for a wide variety of applications including spectrometers, other analytical

How to say "optical fiber"! (High Quality Voices)

Watch in this video how to say and pronounce "optical fiber"! The video is produced by yeta.io

### Fiber Grating Principle Introduction

Working principle of optical fiber grating After understanding the basic knowledge about optical fiber gratings, we will introduce how optical fiber gratings work. As

### 10 Fiber gratings: principles, fabrication and properties

10.1 INTRODUCTION: WHY FIBER GRATINGS? Single mode fiber is often used for sensing when extreme sensitivity to the measurand is required. This is because this type of fiber permits the

### Fiber Bragg Grating

FBGs are widely employed in optical communication systems, strain measurement, temperature sensing, and as wavelength filters. The phonetic pronunciation of "Fiber Bragg Grating"

### Optical Fiber Grating: Basics, Types & Uses

Optical fiber grating is a periodic structure. This structure affects the refractive index of an optical fiber. Fiber Bragg gratings are a specific type of optical fiber grating. Fiber Bragg gratings

### FIBER GRATINGS & OPTICAL AMPLIFIERS

This video explains the concept of fiber gratings and describes the operation principle of an optical amplifier. It provides a detailed explanation of the Er...

### How a Fiber Grating Works and Its Real-World Applications

Discover how a microscopic structure within an optical fiber filters light, a principle used for monitoring structural integrity and managing data networks.

### Fiber Grating

LPG (Long Period Grating) and FBG (Fiber Bragg Grating) are types of fiber gratings inscribed in optical fibers, utilizing periodic variations in the refractive index to function effectively in applications such as

### Fiber Bragg Grating

Phonetic The phonetic pronunciation of "Fiber Bragg Grating" is: Fahy-ber Brag Gray-ting Key Takeaways Fiber Bragg Grating (FBG) is a highly effective optical filter and sensor framework

## Contact Us

For more information, pricing, or custom solutions, please contact us:

Website: <https://kwsaevents.co.za>

Email: [sales@kwsaevents.co.za](mailto:sales@kwsaevents.co.za)

Phone: +27 21 852 4719

Address: 25 Riebeeck Street, Cape Town, 8001, South Africa

This document is for informational purposes only. Specifications subject to change without notice.

